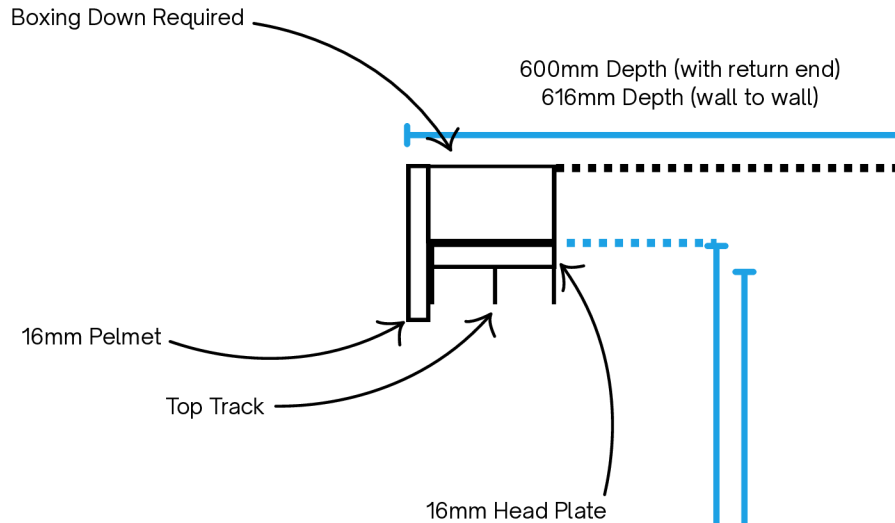


Oversize Sliding Wardrobe (+2750mm) Installation Specifications



Opening Height

Standard Setup: For ceilings over 2750mm, box down to a 2750mm opening.

No Headplate: If omitting the supplied headplate, reduce the opening to 2734mm and fix the top track directly to the framing.

Pelmet & Offsets

Fixing: Pin the pelmet to the headplate or framing. Use matching wax to cover any pin holes for a seamless finish.

Depth: The 16mm pelmet thickness is included in the total wardrobe depth (600mm).

End Panels: If installing an end panel, set both the pelmet and track back by 16mm.

Pelmet Overhang: The pelmet should extend a maximum of 90mm past the top of the headplate. Exceeding this dimension will make it difficult to fit the doors into the opening.

*Top plate and bottom plate must be level

Included Components

What's Included (Track Kit):

- **Plates & Tracks:** Bottom plate, bottom track, top plate, and top track.
- **Pelmet:** Supplied at the correct height to cover the track and box-down. Note: Pelmet is supplied oversize in width (+100mm) and height (+20mm) cut allowance for ceiling runouts and must be trimmed to fit on-site.

Customer Requirements:

- **Box Down Materials:** You must provide the timber or framing materials required to box down the opening to the specified height.

